

**ESS Emergency Shutdown Label - 4x2" White on Red, Holes**

SKU: TB-RCT-40X20-WR-H-10DC5C

Category: Solar PV Labels

Color: White On Red

**ENGRAVED TEXT**

Line 1: "ESS"  
Line 2: "EMERGENCY"  
Line 3: "SHUTDOWN"

**SPECIFICATIONS**

|                 |                                       |
|-----------------|---------------------------------------|
| Width           | 101.6mm (4.00")                       |
| Height          | 50.8mm (2.00")                        |
| Material        | 2-Ply Laser Engraved Modified Acrylic |
| Engraving Depth | 0.003" (0.076mm) - Depth may vary     |
| Surface Finish  | Matte                                 |
| Thickness       | 0.0625" (1.6mm)                       |
| Cutting Method  | Laser                                 |

**TOLERANCES**

Length: +/-0.12" | Width: +/-0.12" | Thickness: +/-5%

**DURABILITY & ENVIRONMENT**

- UV Tested: 3+ years without significant color change (ISO 4892-3)
- Suitable for outdoor use
- Temperature Range: -40F to 200F

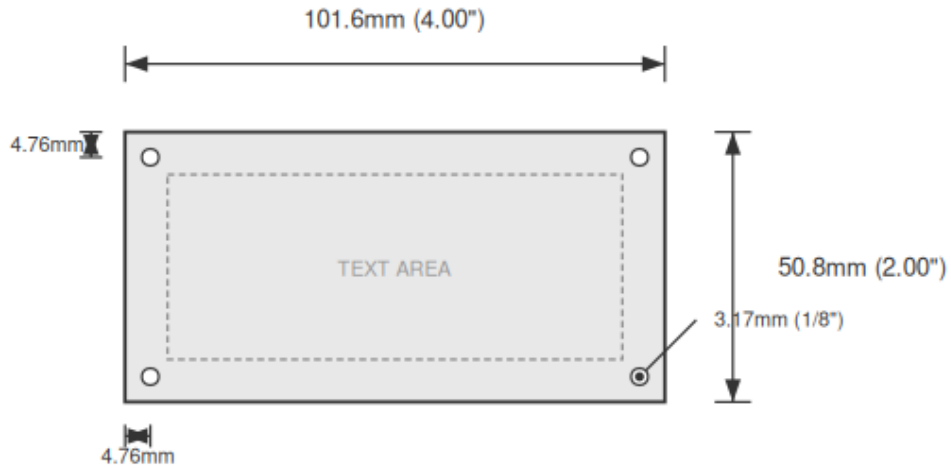
**SAFETY RATINGS**

| NFPA 704                 | HMIS                         |
|--------------------------|------------------------------|
| Health: 0 (Minimal)      | Health: 0 (Minimal)          |
| Flammability: 1 (Slight) | Flammability: 1 (Slight)     |
| Reactivity: 0 (Minimal)  | Physical Hazard: 0 (Minimal) |

*Transport: Not classified as dangerous goods*

**Product: ESS Emergency Shutdown Label - 4x2" White on Red, Holes**

SKU: TB-RC



**DIMENSIONS**

|              |                 |
|--------------|-----------------|
| Width        | 101.6mm (4.00") |
| Height       | 50.8mm (2.00")  |
| Text Size    | 5.0mm (0.20")   |
| Corner Style | Square          |

**NOTES**

1. All dimensions in millimeters unless otherwise noted
2. Drawing not to scale
3. See page 1 for manufacturing tolerances
4. Custom sizes available upon request